

Universal Design

Quick Reference Guidelines

Maximum height for wall text 70" (except large titles)

Graphic Design

Minimum size body text
(exceptions for small ID labels)
Recommendation
22pt body text

Ideal size for body text
Recommendation
28-32 pt body text

Contrast for body text
(under 36 pt)
Recommendation

Between 70% and 95% or **70%** and **95%**

Typeface choice for body text
Recommendation

Use simple **sans serif** and serif typefaces

Don't use these styles:

Script
Handwriting
STENCIL

(exceptions for titles made on a case by case basis)

Type styles for body text
Recommendation

Do not use ALL CAPS

Do not use **bold**

Use *italics* sparingly

Line length and leading
Recommendation

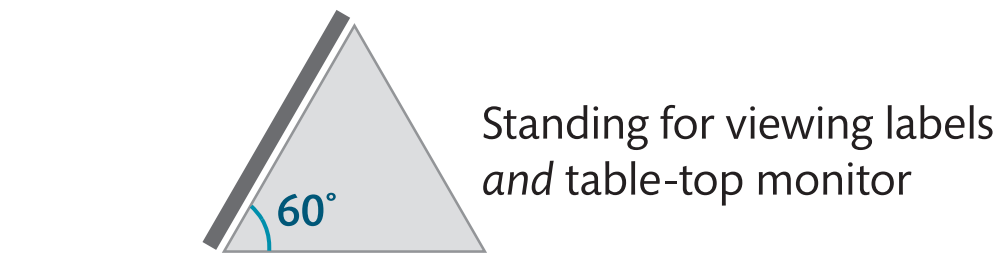
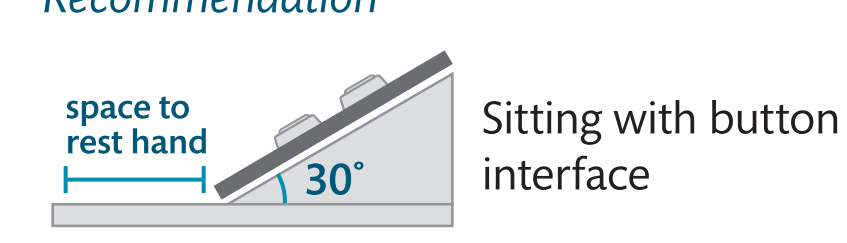
Line length: 45-55 characters
The ideal line length is about this many characters
Leading should be at least 120% of type size
120%

Hyphenation
Recommendation

No hyphenating words

Physical Design

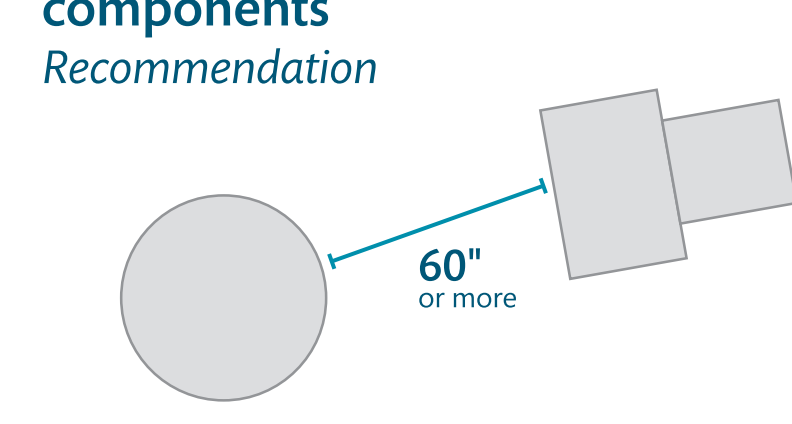
Slant surface angles
Recommendation



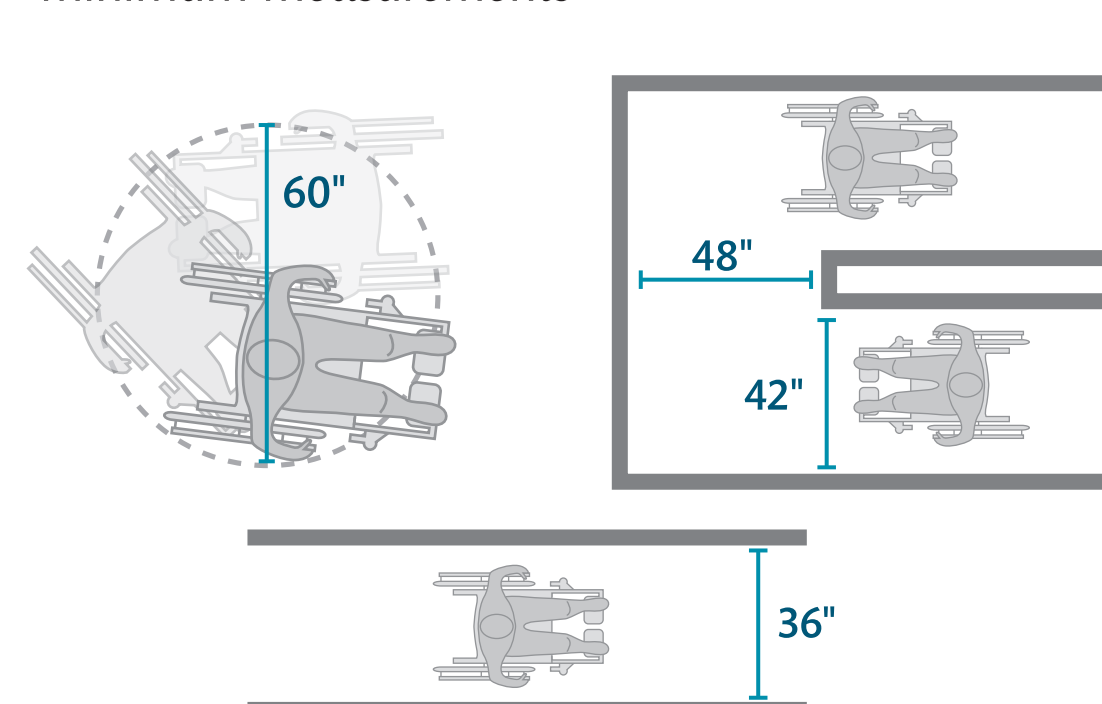
Stool height
Recommendation



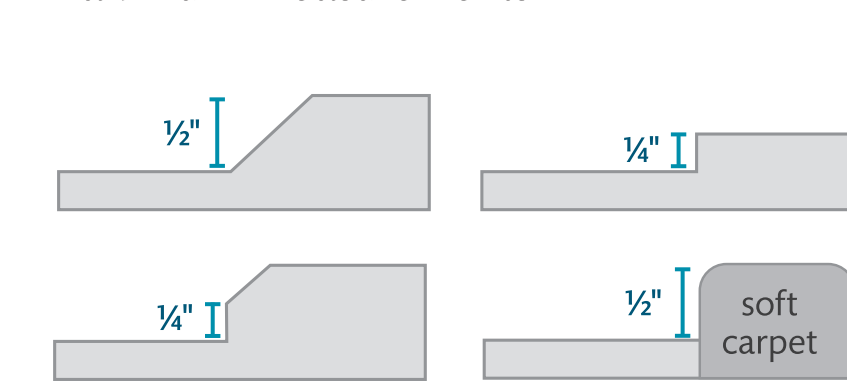
Circulation between free-standing components
Recommendation



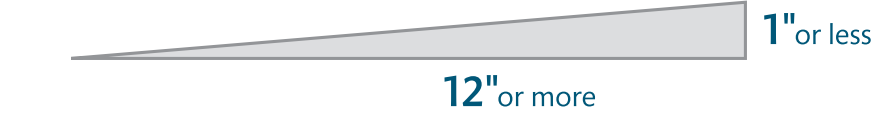
Wheelchair clearance
minimum measurements



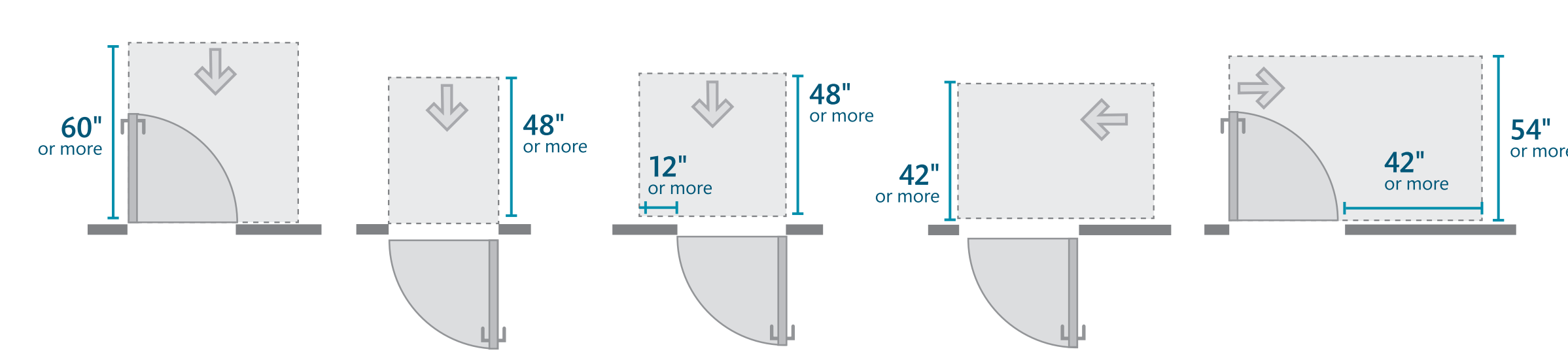
Flooring transitions – options
maximum measurements



Ramps

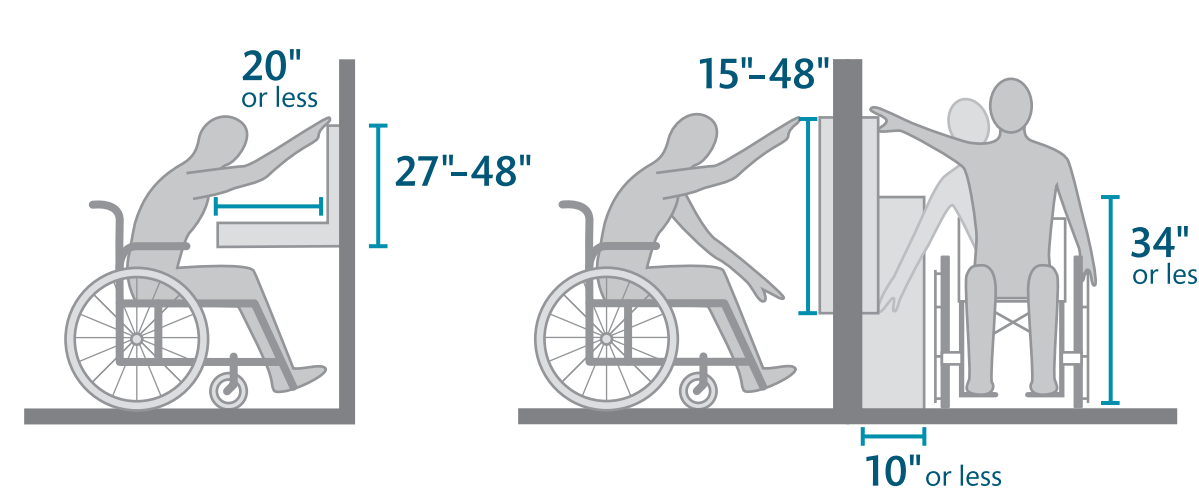


Door clearance – options

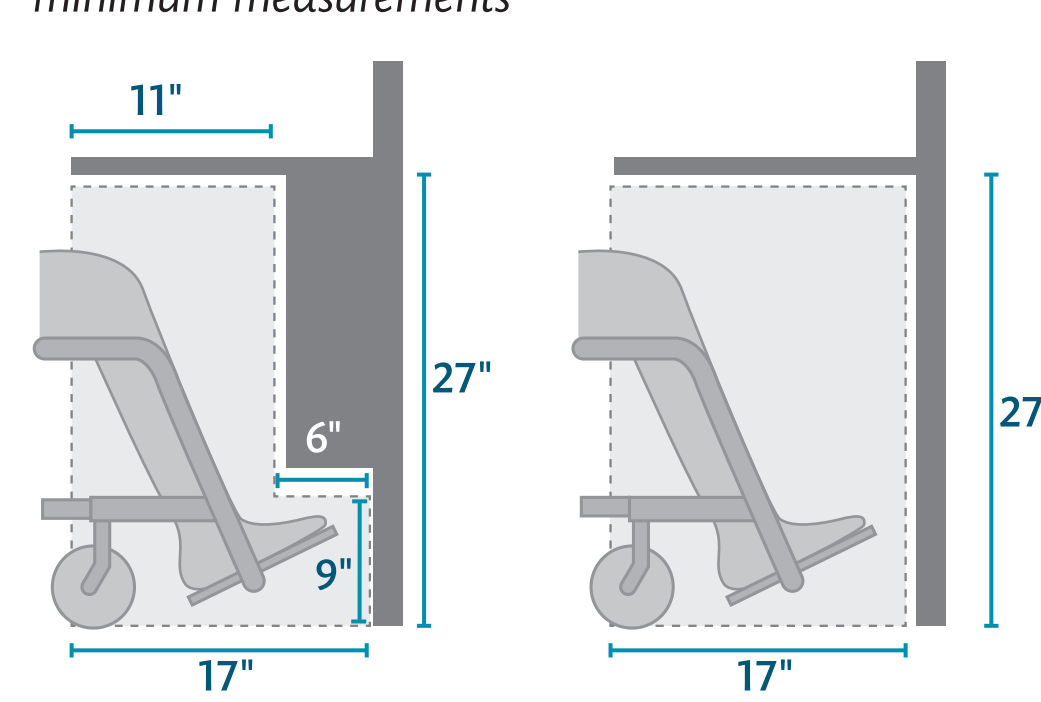


Reach

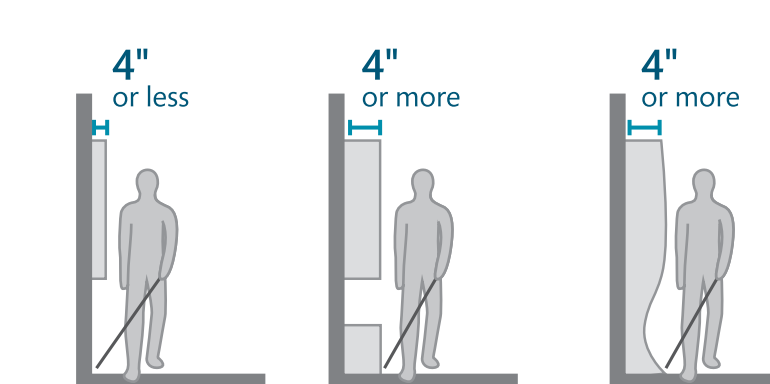
When possible minimize reach distance to 11"



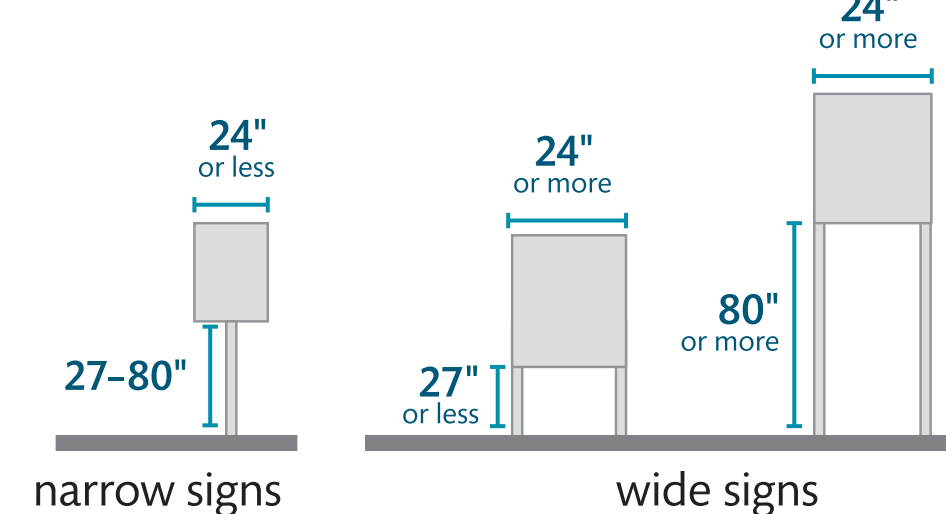
Wheelchair pull under – options
minimum measurements



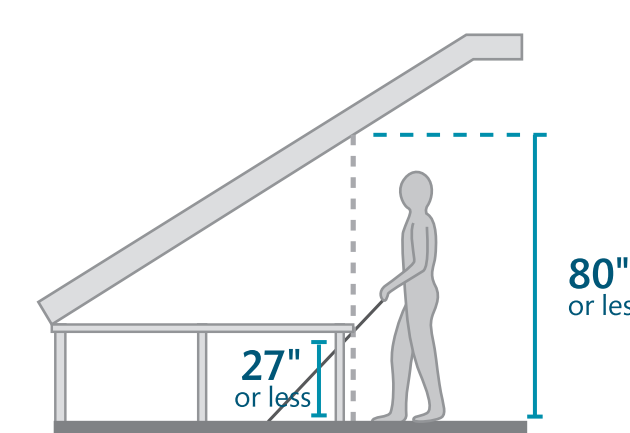
Protruding objects – options



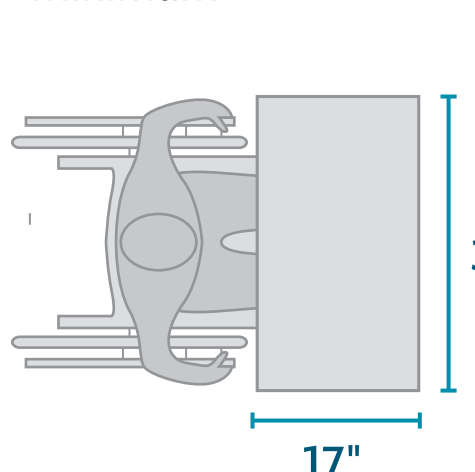
Free-standing signs – options



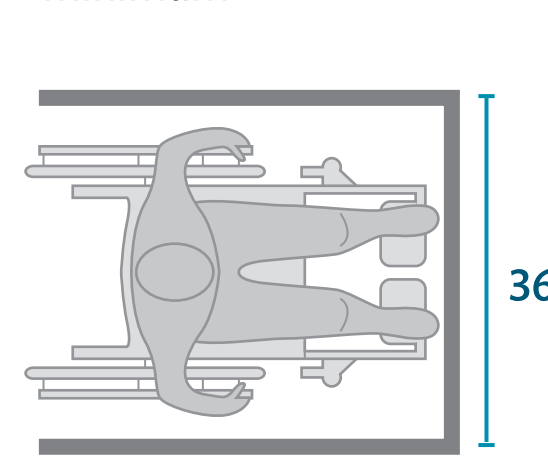
Head clearance



Pull under
minimum



Pull in
minimum



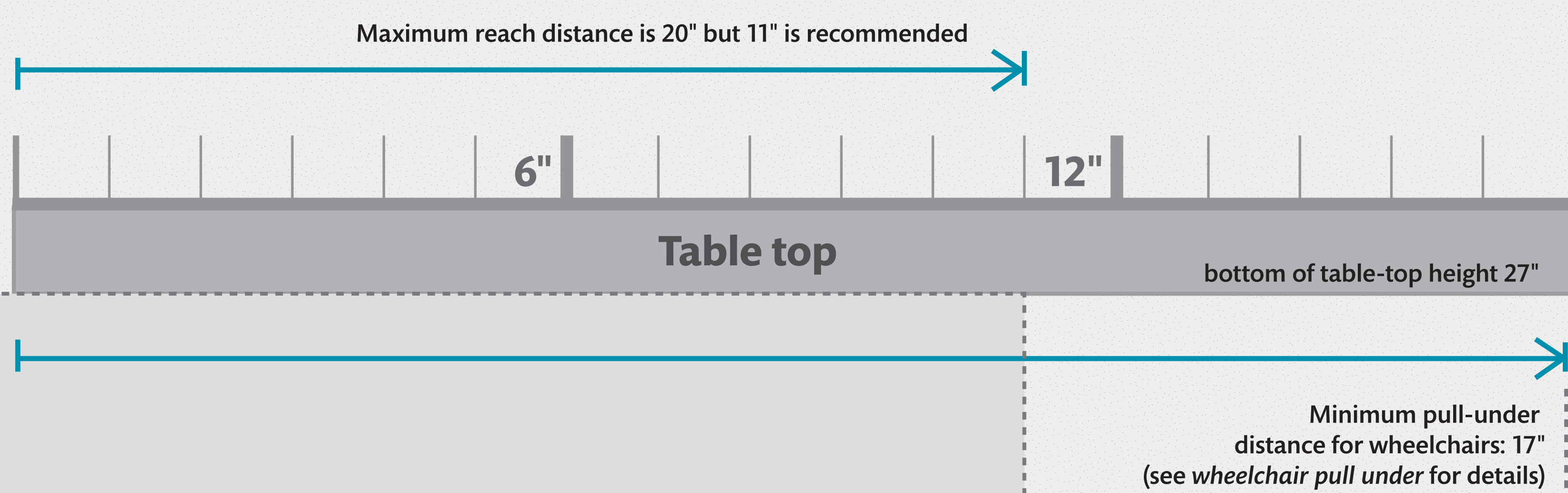
Ideal range for wall text 48"-67"

Center line for wall text

Minimum height for wall text: 42" (does not apply for slant labels)

Range for reach

This shaded area is to scale



Produced by



Unless marked as recommendations, all listed legal requirements are taken from the 2010 ADA Standards for Accessible Design

Please hang this poster 4" from the floor

This project was supported in part by a grant from the Institute of Museum and Library Services.



66"

60"

54"

48"

42"

36"

30"

24"

18"

12"

6"